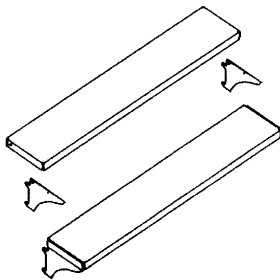


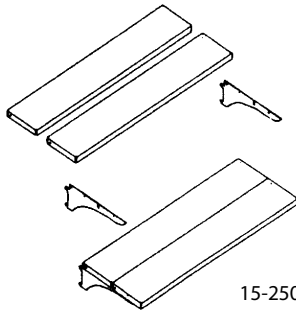
AccentAdvantage

COMMERCIAL GRADE POP-UP DISPLAY SYSTEM

Arc Frame Shelving Systems

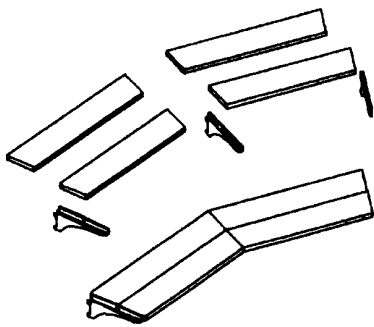


15-25000

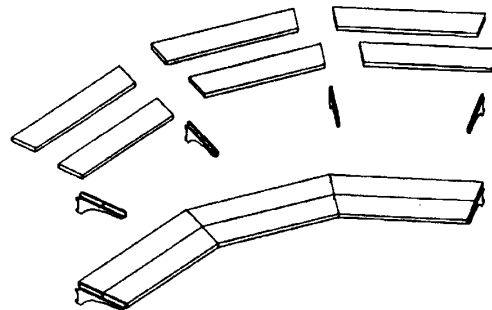


15-25002

Flat shelves for products, bus cards, etc.

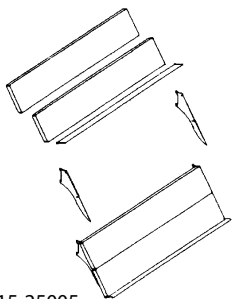


15-25024

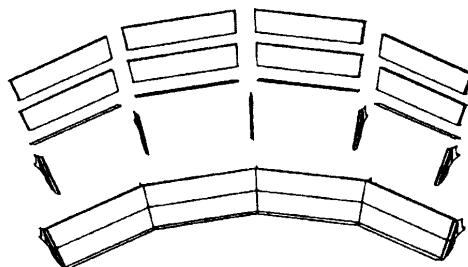


15-25005

Angled shelves for literature.



15-25005



15-25022

| | |
|-----------------------------------|--------|
| Flat shelves -single depth | |
| 15-25000 | 45.00 |
| 15-25018 (continuous set of 4) | 155.00 |
| Flat shelf double depth | |
| 15-25002 | 72.00 |
| 15-25024 (continuous set of 2) | 120.00 |
| 15-25014 (continuous set of 3) | 180.00 |
| 15-25020 (continuous set of 4) | 263.00 |
| Angled literature shelf | |
| 15-25005 | 76.00 |
| 15-25026 (continuous set of 2) | 138.00 |
| 15-25016 (continuous set of 3) | 204.00 |
| 15-25022 (continuous set of 4) | 263.00 |

PRICES SUBJECT TO CHANGE W/O NOTICE

TRADESHOWSTUFF.COM

ACCENT DISPLAY & GRAPHICS, INC.

SERVING EXHIBITORS SINCE 1991

SHOWROOM: 112 S. 109th EAST PLACE / TULSA, OK 74128

PHONE: 918-437-4338 / Toll Free: 800-580-6352